

*Maxair*TM

SPECIFICATIONS

FOR APPROVAL

Model: 9225B2ML

AC220V 50/60Hz 0.06/0.06A



SPECIFICATION

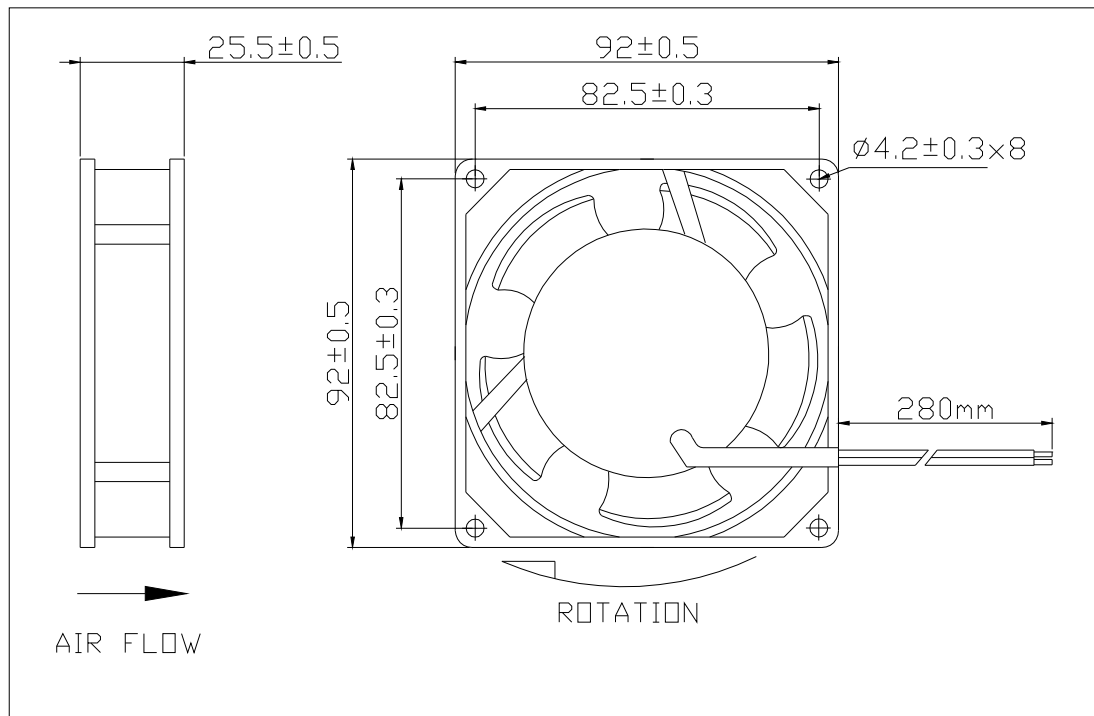
<u>Item</u>	<u>Specification/Condition</u>
Dimension	: 92x92x25 mm
Bearing System	: BALL BEARING
Rated Voltage	: 220 VAC
Operating Voltage	: 200 VAC—240 VAC
Start-up Voltage	: 160 VAC NORMALLY
Rated Current	: 0.06/0.06 Amp NORMALLY
Rated Power	: 11/10 Watt NORMALLY
Rated Speed	: 2300/2600 RPM±10%
Air Flow	: 0.71/0.85 m ³ /min (25 /30 CFM)
Static Air Pressure	: 3.0/3.50 mmH ₂ O
Noise Level	: 25/33 dBA
Motor Protection Type	: BY IMPEDANCE
Life Expectance	: 50000 Hours at Room Temperature
Operation Temperature	: -30°C to +75°C
Net Weight	: 280 Grams

Maxair™

MATERIAL

1. Impeller : Thermoplastic PBT of UL 94V-0
2. Bobbin : Thermoplastic PA66 of UL 94V-0
3. Lead Wire : UL 1430 AWG#22 280mm—BLACK

DIMENSIONS: MM



Maxair™

Performance Curve

