

No:	XRL4132031
Date:	22-Feb-13
Revised:	NA   0

For Customer:	B630	Customer P/N or Ref.:	NA
Part No.		Model No.	RDH8015B1
Samples Attached	NA Pcs.	Samples From	Engineering
Safety Approvals	UL/CUL,TUV,CE		

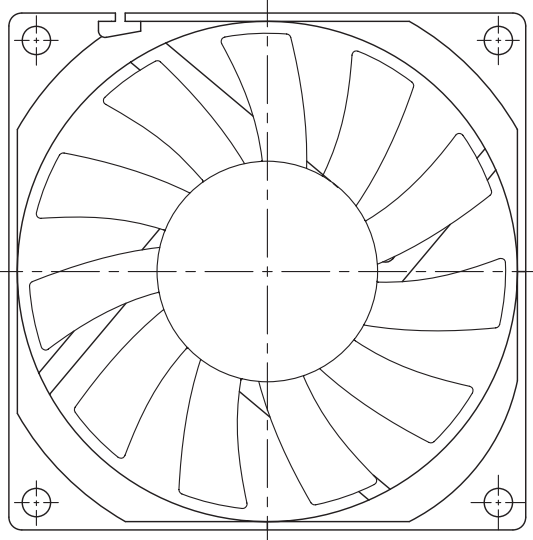
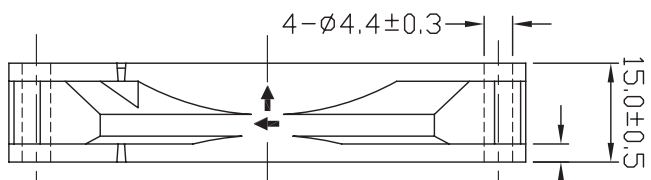
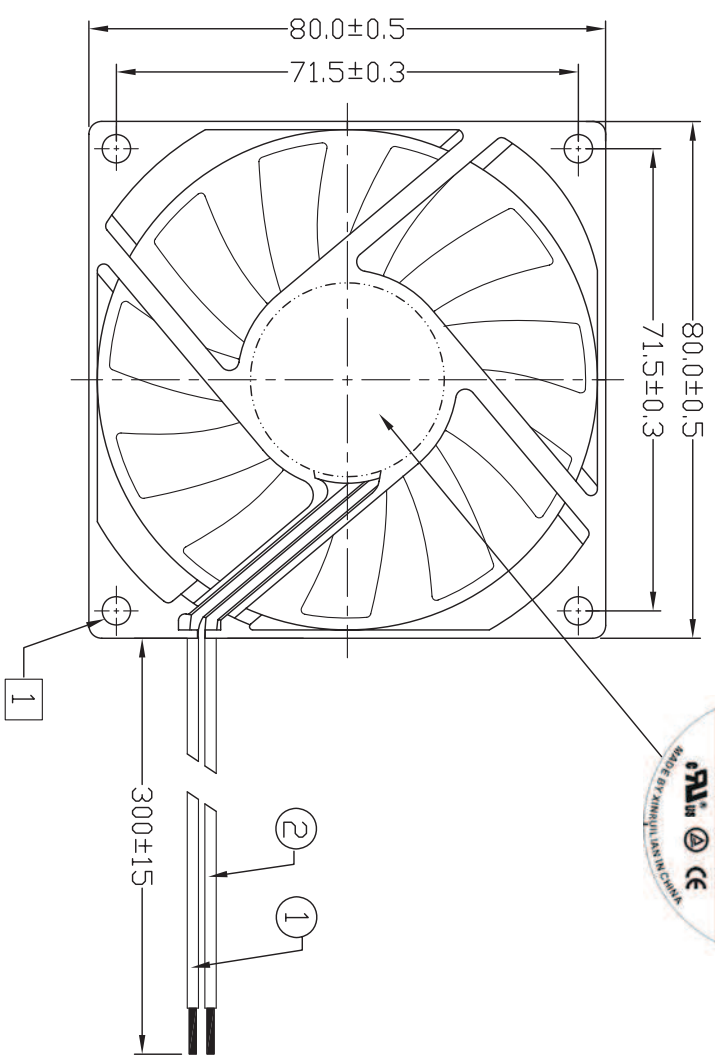
**SPECIFICATION**

Item	Unit	Specification	Condition
Dimension	mm	80x80x15	L x W x Thickness
Bearing System	---	Dual Ball Bearing	-----
Rated Voltage	VDC	12.0	-----
Operating Voltage Range	VDC	6.0-13.8	At 25°C
Start-up Voltage	VDC	6.0	At 25°C
Rated Current	Amp	0.17(Max.0.204)	At rated Voltage
Lock Rotor Current	Amp	0.33	Max. at Rotor Locked
Rated Power	Watt	2.04	At rated Voltage
Rated Speed	RPM	3000±10%	At rated Voltage
Air Flow	CFM (CMM)	31.74(0.90) Min.28.08	In Free Air
Static Air Pressure	mmAq (Inch H2O)	2.68(0.11) Min.2.13	When Air Flow = 0
Noise Level	dBA	35 Max.38	At Rated Speed
Motor Protection	---	Reversed Polarity	-----
Other Features	Tachometer Output	No	Not Applicable
	Autostart	No	Not Applicable
	Lock Rotor Alarm	No	Not Applicable
	Thermal Control	No	Not Applicable
	PWM Control	No	Not Applicable
	IP Grade	No	-----
	Environmental	RoHS Compliant	-----
Connection Lead Type	Lead Wire	24AWGx300mm	See P.2 for Details
	Connector	Not Required	Not Applicable
	Build-in LED	No	NA
Life Expectancy	Hours	50000	At 25°C
Net Weight	Gram	54	-----
Packing	Pieces / Carton	200	-----

Prepared By:	Checked By:	Approved By:	Page No.
刘平	刘昕	魏新怀	28 FEB 2013
Date:2013-02-26	Date:2013-02-26	Date:2013-02-26	1



DATE CODE  
 X X X X  
 YEAR MONTH DATE



NOTE:

1 INSTALL SCREW MAX.TORQUE 7.5Kg-CM.

②	LEAD WIRE	1	UL1007 24AWG, RED	CONNECT TO VCC	
①	LEAD WIRE	1	UL1007 24AWG,BLACK	CONNECT TO GND	
N/D.	PART NAME	Q'TY	SPECIFICATION	REMARK	

MARK CHANGES BY/DATE APPD/DATE

XINLAN SCIENCE & TECHNOLOGY (SHENZHEN) CO., LTD  
 欣瑞连科技 (深圳) 有限公司

TOLERANCES:

LINEAR	X	XX	ANGULAR
(0,30)	±0.10	±0.05	X ±15°
(50,100)	±0.20	±0.10	XX ±0.1°
(100,+∞)	±0.30	±0.15	

PROJECTION: UNIT: MM PAGE: 1/1

PART NAME	DC FAN	MODEL NO.	RDH8015B1	PART NO.	
APPD/DATE	魏新怀13/02/26	CHECK/DATE	刘听13/02/26	DRAWING/DATE	刘平13/02/26
				REV	0