

*Maxair*TM

SPECIFICATIONS

FOR APPROVAL

Model: 12025B2HL

AC230V 50/60Hz 0.09A



SPECIFICATION

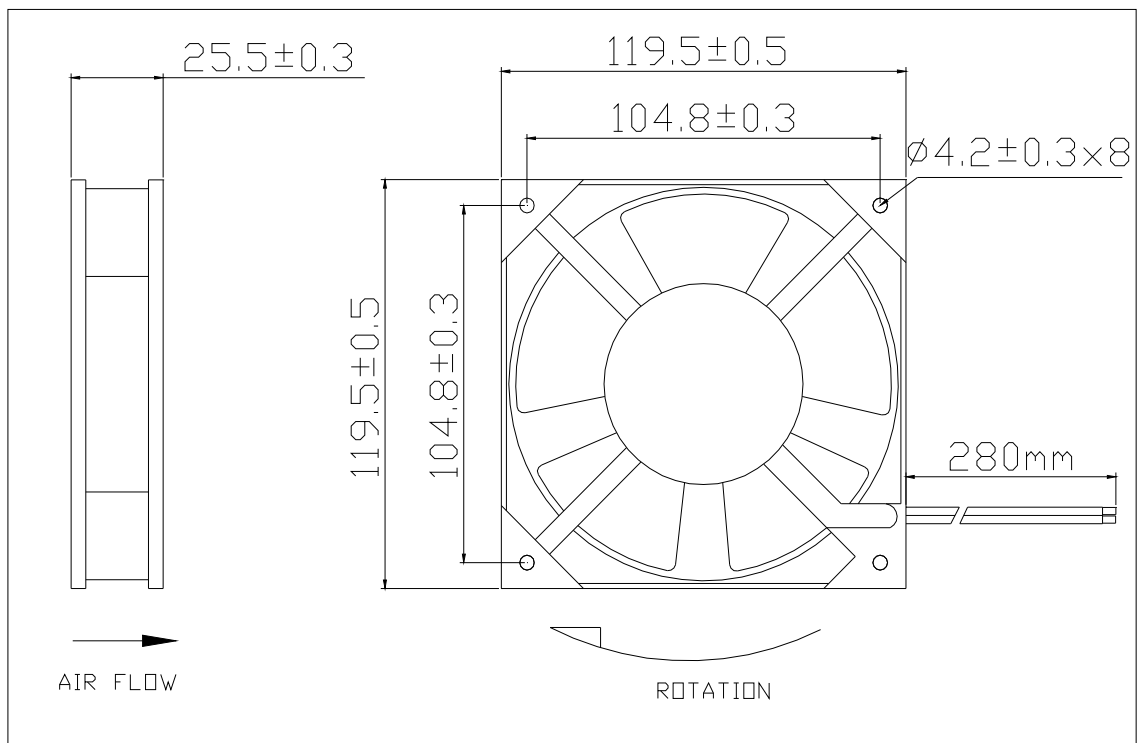
<u>Item</u>	<u>Specification/Condition</u>
Dimension	: 120x120x25 mm
Bearing System	: BALL BEARING
Rated Voltage	: 220 VAC
Operating Voltage	: 200 VAC—240 VAC
Start-up Voltage	: 160 VAC NORMALLY
Rated Current	: 0.09/0.09 Amp NORMALLY
Rated Speed	: 2200/2400 RPM±10%
Rated Power	: 19/18 Watt NORMALLY
Air Flow	: 1.87/2.21m ³ /min (66 /78CFM)
Static Air Pressure	: 3.56/4.06mmH ₂ O
Noise Level	: 38/40dBA
Motor Protection Type	: BY IMPEDANCE
Life Expectance	: 50000 Hours at Room Temperature
Operation Temperature	: -30°C to +75°C
Net Weight	: 330 Grams

Maxair™

MATERIAL

1. Impeller : Thermoplastic PBT of UL 94V-0
2. Bobbin : Thermoplastic PA66 of UL 94V-0
3. Lead Wire : UL 1430 AWG#22

DIMENSIONS: MM



Maxair™

Performance Curve

