

φ172mm

San Ace 172

25mm thick(Sidecut type), 51mm thick(Sidecut type SG type)
 51mm thick(Sidecut type GV type)
 51mm thick(Sidecut type), 51mm thick(Round type)



- General Specifications** With a pulse sensor Specifications for pulse sensors ⇨ Refer to Page 307
- Material..... Frame: Aluminum, Impeller:Plastics (Flammability: UL94V-1)
 - Life ExpectancyVaries for each model (L10:Survival rate:90% at 60°C ,
 rated voltage, and continuously run in a free air state)
 - Lead Wire⊕red ⊖black or blue Sensor yellow
 - Storage Temperature-30°C to +70°C (Non-condensing)

φ172mm×51mm (Mass : 760g)

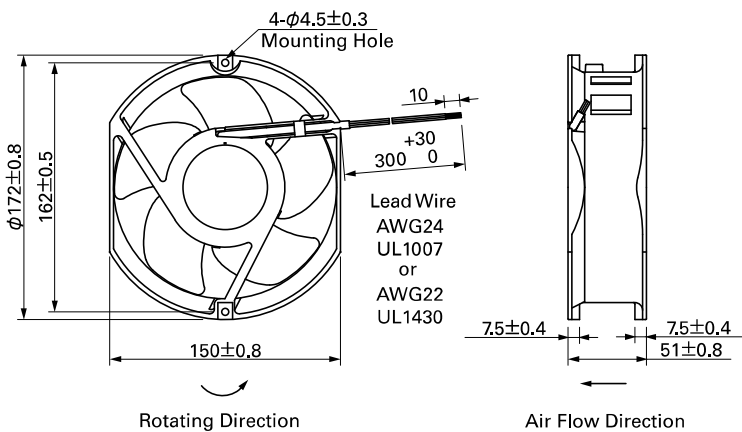
SideCut type

Specifications

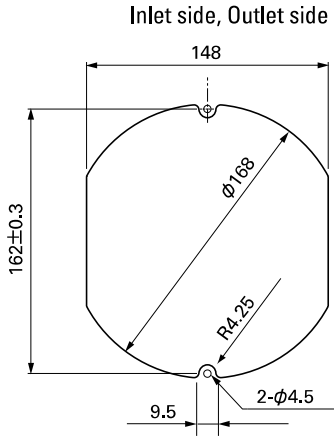
Model No.	Rated Voltage [V]	Operating Voltage Range [V]	Rated Current [A]	Rated Input [W]	Rated Speed [min ⁻¹]	Air Flow [m ³ /min] [CFM]		Static Pressure [Pa] [inchH ₂ O]		SPL [dB(A)]	Operating Temperature [°C]	Life Expectancy [h]
109E5712K501	12	10.2 to 13.8	2.9	34.8	4,100	8.5	300	243.0	0.976	60	-10 to +60	40,000
109E5712Y501			2.3	27.6	3,800	8	282	210	0.84	60		
109E5712H501			1.2	14.4	3,050	6.4	226	137.2	0.551	52	-10 to +70	
109E5712F501			0.68	8.16	2,500	5.1	180	95	0.38	47		
109E5712M501			0.48	5.76	2,000	4.2	148	67.6	0.271	41		
109E5724C501	24	20.4 to 27.6	2.3	55.2	4,800	9.9	350	308.0	1.237	66	-10 to +70	
109E5724K501			1.3	31.2	4,100	8.5	300	243.0	0.976	60		
109E5724H501			0.58	13.92	3,050	6.4	226	137.2	0.551	52		
109E5724F501			0.35	8.4	2,500	5.1	180	95	0.38	47		
109E5724M501			0.2	4.8	2,000	4.2	148	67.6	0.271	41		
109E5748C501	48	40.8 to 55.2	1.2	57.6	4,800	9.9	350	308.0	1.237	66	-10 to +60	
109E5748K501			0.7	33.6	4,100	8.5	300	243.0	0.976	60		
109E5748H501			0.28	13.44	3,050	6.4	226	137.2	0.551	52	-10 to +70	
109E5748F501			0.19	9.12	2,500	5.1	180	95	0.38	47		
109E5748M501			0.11	5.28	2,000	4.2	148	67.6	0.271	41		

Without Sensor Pulse Sensor Available in all models. Lock Sensor Low speed Sensor PWM Control Please inquire as the availability of these functions depend on the model.

Dimensions (Unit : mm)



Reference dimension of mounting holes and vent opening (Unit : mm)



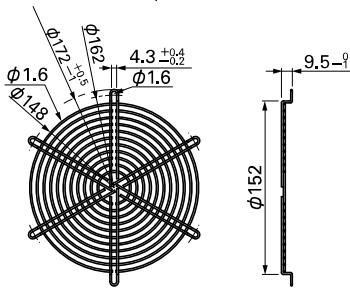
Options (Unit : mm)

Finger guards

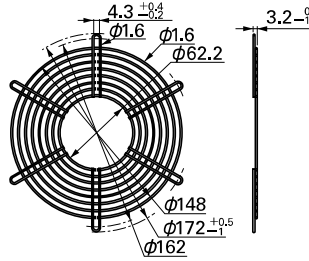
Model : 109-319E Surface treatment : Nickel-chrome plating (silver) Color : 109-319H : Cation electropainting (black)

Model : 109-320 Surface treatment : Nickel-chrome plating (silver) Color

Inlet side, Outlet side



Outlet side

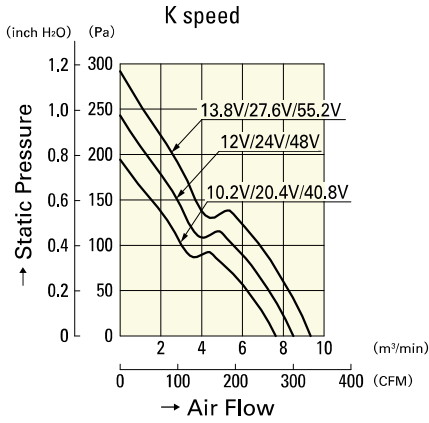


φ172mm

San Ace 172

φ172mm × 51mm [Mass : 760g]

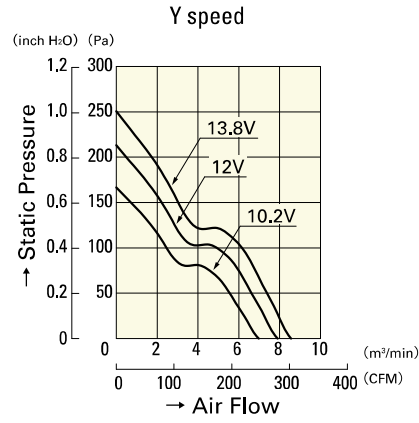
Air Flow and Static Pressure Characteristics



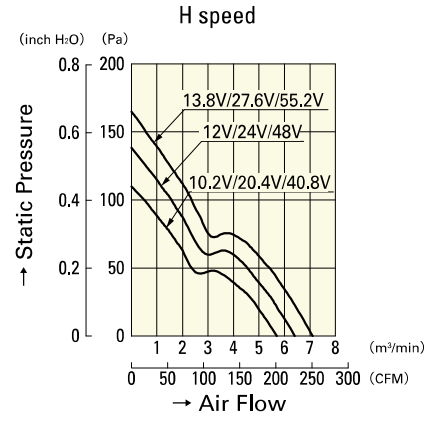
109E5712K501

109E5724K501

109E5748K501



109E5712Y501

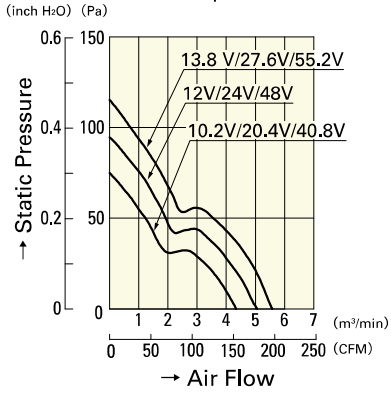


109E5712H501

109E5724H501

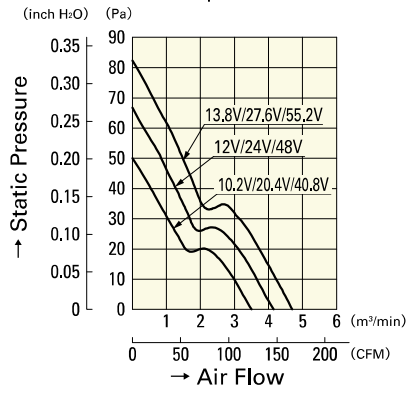
109E5748H501

F speed



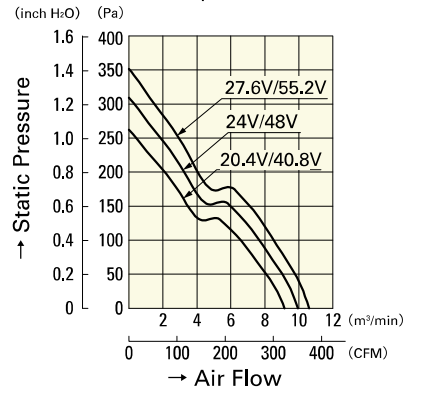
- 109E5712F501**
- 109E5724F501**
- 109E5748F501**

M speed



- 109E5712M501**
- 109E5724M501**
- 109E5748M501**

C speed



- 109E5724C501**
- 109E5748C501**